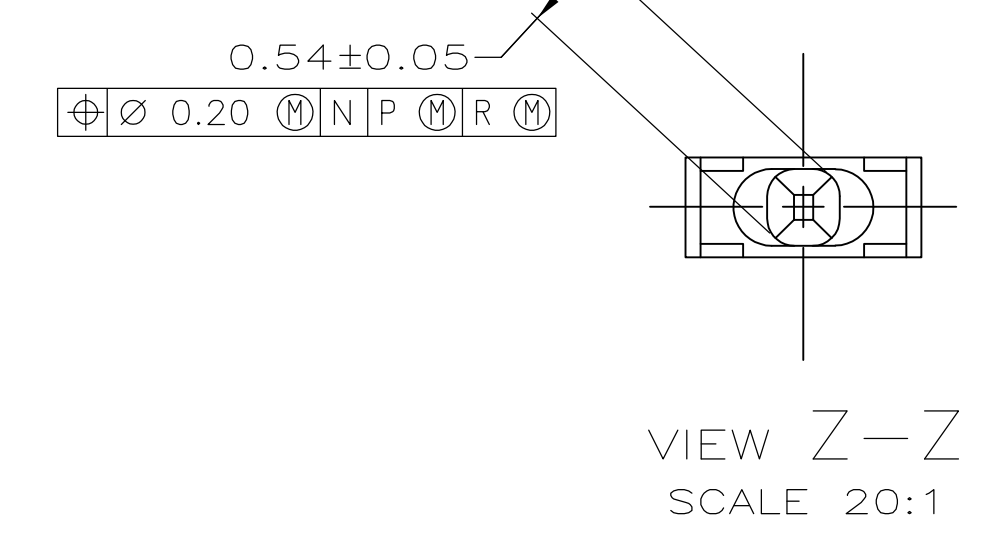
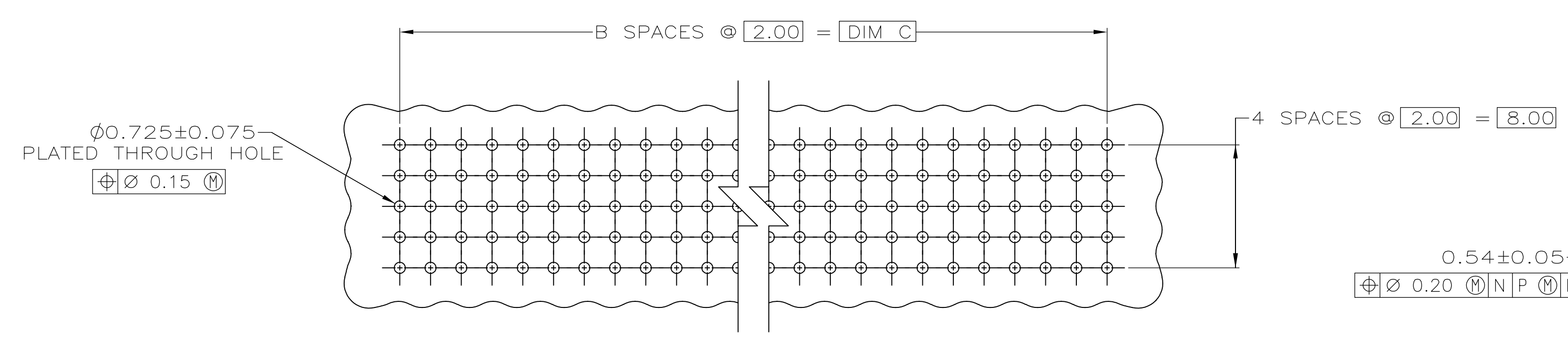
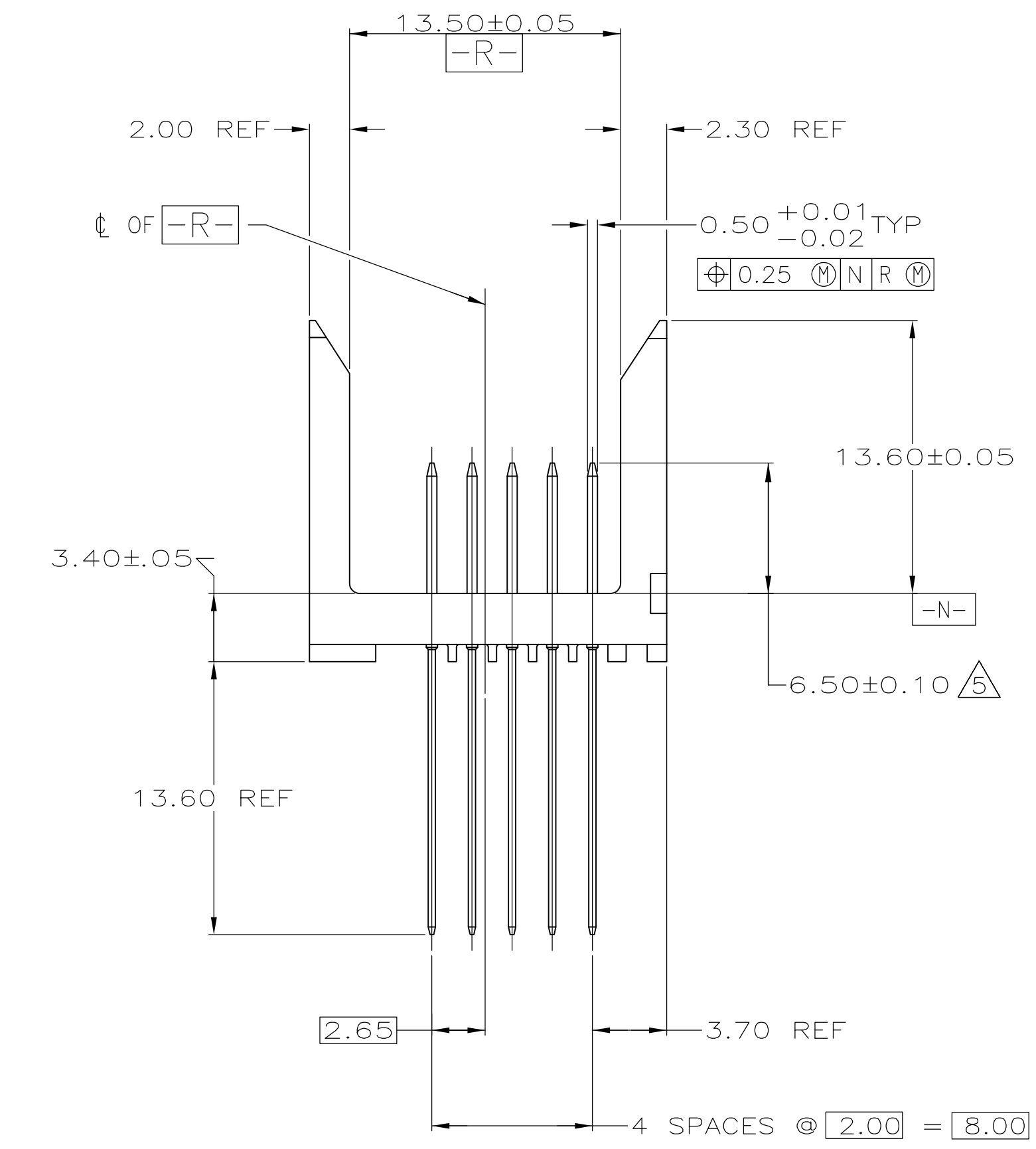


- △ HOUSING MATERIAL: LIQUID CRYSTAL POLYMER. COLOR: NATURAL.
- △ CONTACT MATERIAL: PHOSPHOR BRONZE.
- △ CONTACT FINISH:(B)
 UNDERPLATE (ENTIRE CONTACT):
 0.00127 MIN NICKEL PER SAE-AMS-QQ-N-290
 ON MATING SURFACES:
 CONFORMS TO ALL TESTING SPECIFIED FOR TELCORDIA
 UNCONTROLLED ENVIRONMENT.
 ON LEADS:
 0.0006 MIN MATTE TIN PER ASTM B 545 OVER UNDERPLATE.
 LUBRICATION (MIN MATING SURFACES):
 SURFACE CONDITIONER AFTER PLATING.
- △ PART MARKING LOCATED APPROXIMATELY AS SHOWN.
- △ DIMENSION APPLIES WHEN SEATED ON PRINTED CIRCUIT BOARD.



94.00	47	95.88	240	5223055-8
46.00	23	47.88	120	5223055-4
22.00	11	23.88	60	5223055-2
10.00	5	11.88	30	5223055-1
DIM C	DIM B	DIM A	NUMBER OF SIGNAL POSITIONS	PART NUMBER

THIS DRAWING IS A CONTROLLED DOCUMENT.

DIMENSIONS:	TOLERANCES UNLESS OTHERWISE SPECIFIED:	DIN B MCMMASTER 24NOV04	tyco	Tyco Electronics Corporation
mm	0 PLC ± -	24NOV04	Electronics	Harrisburg, Pa 17105-3608
	1 PLC ± -	24NOV04		
	2 PLC ± -	24NOV04		
	3 PLC ± -	24NOV04		
	4 PLC ± -	24NOV04		
	ANGLES ± -	24NOV04		
MATERIAL	FINISH	NAME	PIN ASSEMBLY, Z-PACK 2mm FB SIGNAL VERTICAL 5 ROW, WITH PRESS FIT LEADS	
△ 1	△ 2	△ 3	SIZE	CAGE CODE
			A1	00779
			WEIGHT	DRAWING NO
				5223055
			CUSTOMER DRAWING	RESTRICTED TO
			SCALE 4:1	SHEET 1 OF 1
				REV A