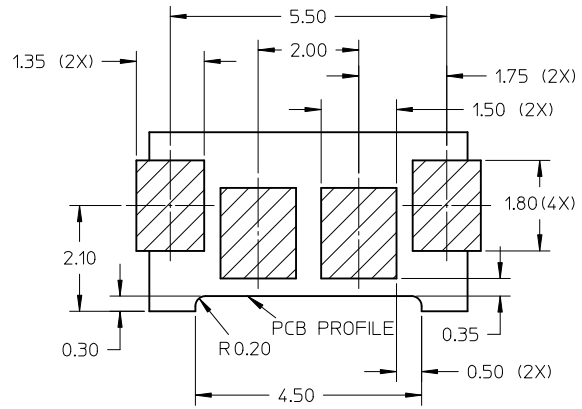
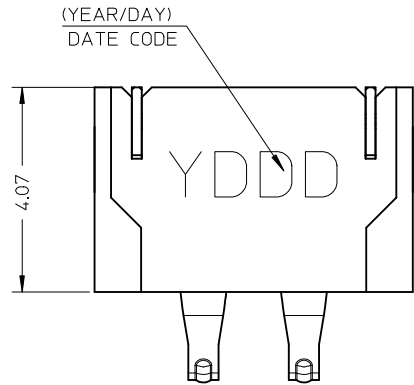


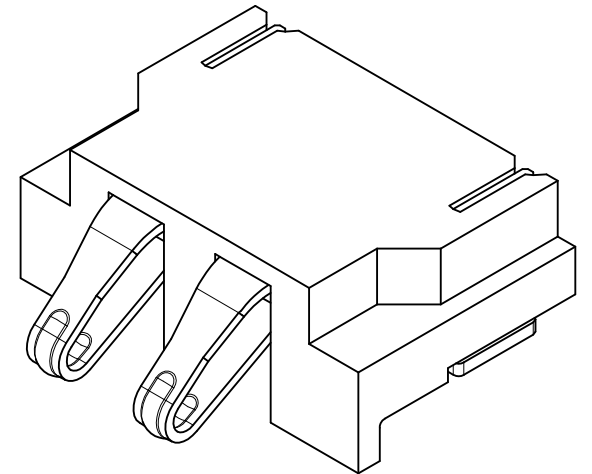
10 9 8 7 6 5 4 3 2 1

F

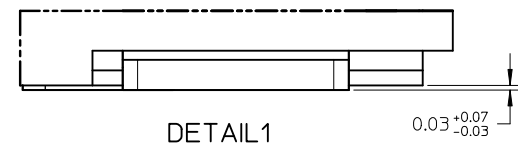
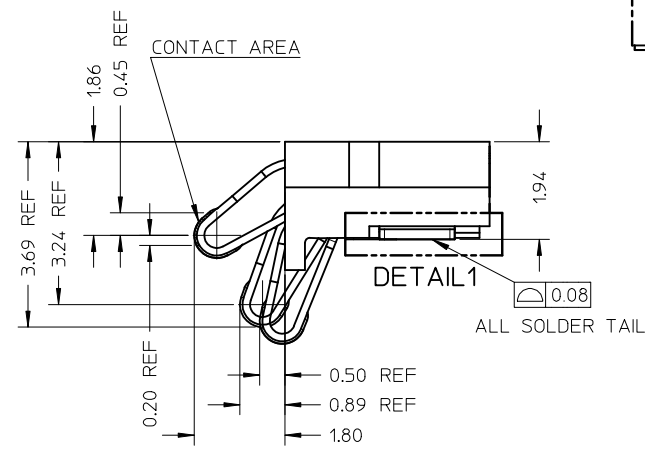
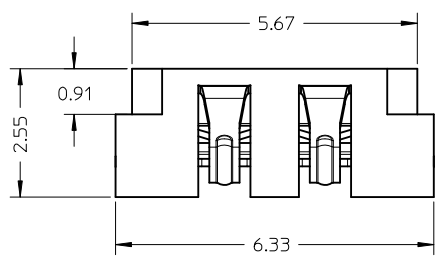
E



RECOMENDED PCB LAYOUT  
DEFAULT TOLERANCE +/-0.05

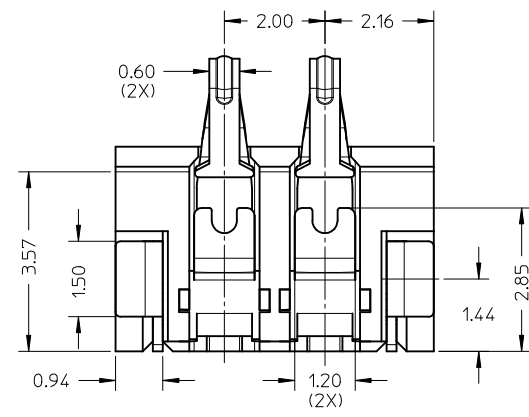


D



DETAIL1  
SCALE:30:1

C



NOTES:

- 1,MATERIALS:  
TERMINAL:BERYLLIUMCOPPER C17200  
HOUSING: HIGH TEMPERATURE THERMAL PLASTIC  
FITTING NAIL:BRASS C2680
- 2,FINISH:  
TERMINAL:50-150u" NICKEL UNDER PLATED  
30u" MIN GOLD PLATING ON CONTACT AREA  
3u" MIN GOLD FLASH ON SOLDERING AREA  
FITTING NAIL:100u" MIN TIN ALLOY OVER 50u" NICKEL OVERALL
- 3,PRODUCT SPECIFICATION:PS-47480-001
- 4,PACKAGE INFORMATION:PK-47480-401
- 5,DATE CODE RULE: Y IS THE LAST DIGITAL OF YEAR, DDD IS DAYS COUNT FROM THE YEAR.

A

NEW RELEASE EC NO: S2017-0168 DRWN:CTCHO CHKD:JNG APPR:SHONG 2010/08/31 2010/09/01 2010/12/21	DESCRIPTION A	QUALITY SYMBOLS	GENERAL TOLERANCES (UNLESS SPECIFIED)		DIMENSION STYLE MM ONLY		SCALE 10:1	DESIGN UNITS METRIC	THIRD ANGLE PROJECTION
		$\nabla_A = 0$ $\nabla_C = 0$ $\nabla_P = 0$	mm    INCH 4 PLACES ± --- ± --- 3 PLACES ± --- ± --- 2 PLACES ± 0.13 ± --- 1 PLACE ± --- ± ---	DRAWN BY ZYYAN DATE 2010/04/23	TITLE 2 PIN BATTERY CONNECTOR 2.0MM PITCH SALES DRAWING				
		DRAFT WHERE APPLICABLE MUST REMAIN WITHIN DIMENSIONS		CHECKED BY WFDENG DATE 2010/04/23	MOLEX INCORPORATED SD-47480-401				
				APPROVED BY NAGESHKN DATE 2010/08/25	SHEET NO. 1 OF 1				
		MATERIAL NO. 474804001		DOCUMENT NO. SD-47480-401		THIS DRAWING CONTAINS INFORMATION THAT IS PROPRIETARY TO MOLEX INCORPORATED AND SHOULD NOT BE USED WITHOUT WRITTEN PERMISSION			

9 8 7 6 5 4 3 2 1